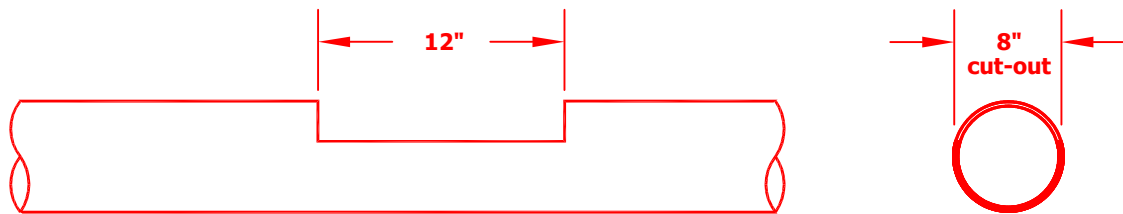
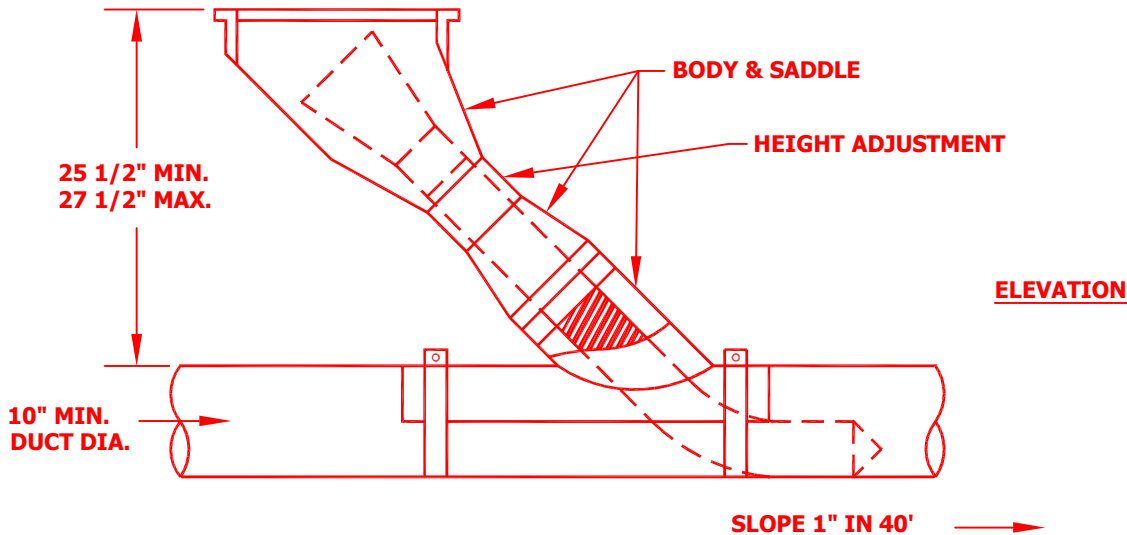
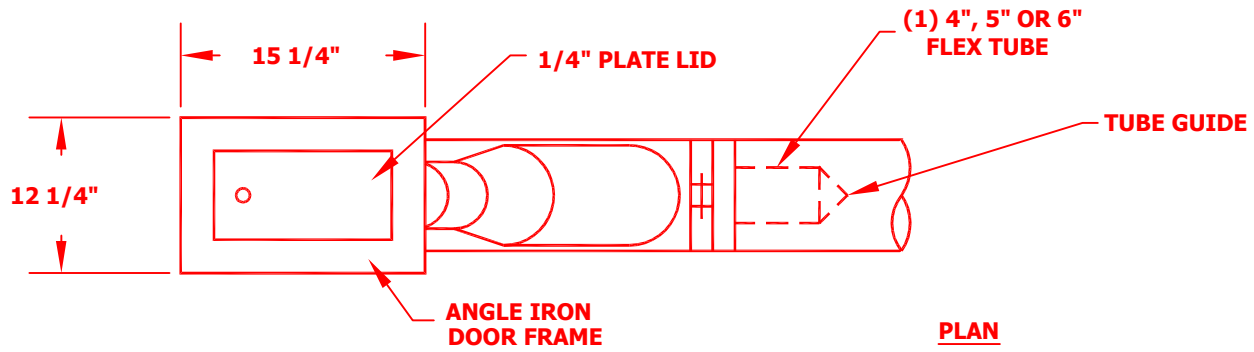


NSGV Self-Close Underfloor Inlet CGY - CSY - SSY



UNDERFLOOR DUCT CUT-OUT

CONSULT FACTORY FOR DUAL APPLICATION OR LARGER SIZES.

800-728-8368 (phone) / 217-422-5387 (fax) / jmdilligaf@aol.com / NSGV.com

Flexible Tubing Options	Tailpipe Adapter Options	NSGV self-close galvanized underfloor inlet is constructed of a 1/4" thick self-closing safety orange plate lid, angle iron frame, 24 gauge body, & 24 gauge saddle. CGY - 24 gauge Galvanized body & saddle. CSY - 24 gauge Stainless Steel body & saddle SSY - All Stainless Steel Construction <u>Recommended Underfloor Duct Types:</u> 4 x 4 PVC coated spiral PVC pipe (schedule 40, 60 or 80) Stainless Steel spiral CONSULT FACTORY FOR PROPER TUBE SELECTION.
NK (Neoprene)	NK-30-1 (Neoprene Adapter)	
GA (Galvanized)	Tapered Cone Adapter	
SS (Stainless Steel)	CTA (Clamping Tailpipe Adapter)	
XT-65 (Fabric Based)	DSR-600 (Neoprene Adapter)	